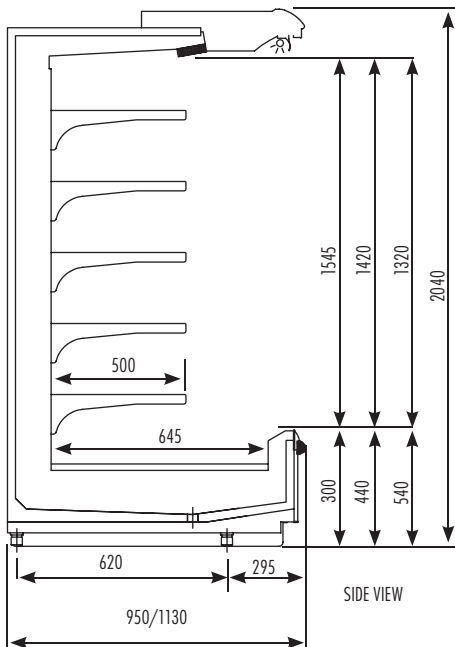




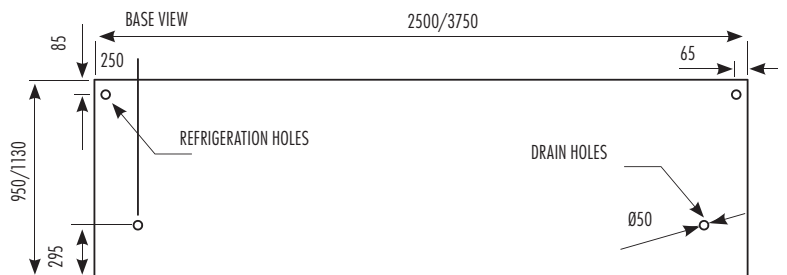
UPRIGHT DAIRY - M2

950mm/1130mm

JUST FOR QUALITY, JUST FOR PRICE, JUST FOR YOU



12FT UPRIGHT DAIRY



FEATURES
Running temperature: +3°C to +5°C
Ambient Conditions: 25°C - 60% R.H
FANS - Mounted on rear wall
High Capacity Evaporators
Temperature Controller
OPTIONAL EXTRAS
Refrigeration Exit - Top of cabinet or Bottom Exit
External Colours - Blue, Red, White, Black, Yellow, Silver, Grey, S.Steel
Stainless Steel Bumper Rail
Front Heights - 300mm / 440mm / 540mm
LED Canopy Lights
Night Curtains

M2		6ft	8ft	12ft	HEAD PIECE
Length	mm	1875	2500	3750	T.R.2025
Height	mm	2040			
Depth	mm	950 / 1130			
Thickness of end	mm	35 max 50			
Gross Volume	m ³	1.57/1.67	2.09/2.25	3.15/3.38	1.57/1.67
Total Display area	m ²	3.24/3.58	4.33/4.78	6.49/7.16	3.24/3.58
Evaporator fans	nr.x watt	2 x 10	4 x 10	6 x 10	2 x 10
Lighting	nr.x watt	2 x 36	4 x 36	6 x 36	2 x 36
Nr. Defrost in 24h	nr.x 24h	3/24h ~ 70 min def. +10°C			

					HEAD PIECE
Refrigeration Capacity (300 front at -7°C)	watt	2213/2353	2985/3183	4415/4699	2213/2353
Refrigeration Capacity (440 front at -7°C)	watt	1992/2118	2687/2865	3974/4230	1992/2118
Refrigeration Capacity (540 front at -7°C)	watt	1793/1907	2419/2579	3577/3807	1793/1907
Rating Power	watt	1150	1380	1840	460
Daily electrical consumption	KWH/24	2.6	3.9	5.3	2.6



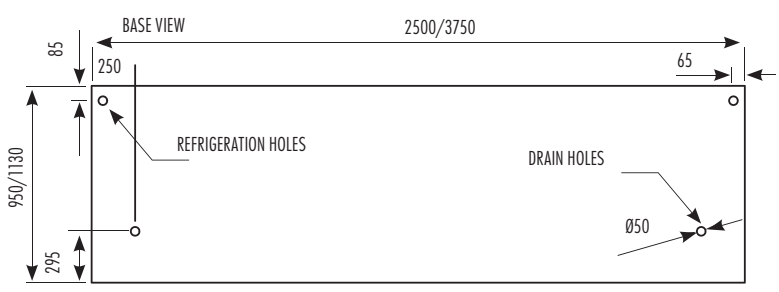
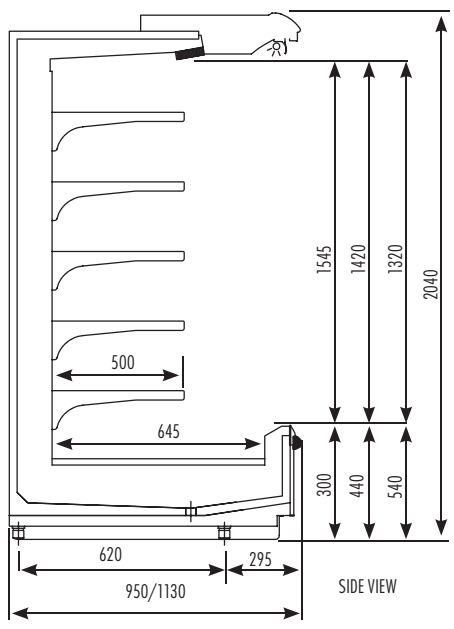
UPRIGHT MEAT - M1

950mm/1130mm

JUST FOR QUALITY, JUST FOR PRICE, JUST FOR YOU



12FT UPRIGHT MEAT



FEATURES

- Running temperature: 0°C/+2°C
- Ambient Conditions: 25°C - 60% R.H
- FANS - Mounted on rear wall
- High Capacity Evaporators
- Temperature Controller
- Rear Mirror

OPTIONAL EXTRAS

- Refrigeration Exit - Top of cabinet or Bottom Exit
- External Colours - Blue, Red, White, Black, Yellow, Silver, Grey, S.Steel
- Stainless Steel Bumper Rail
- Front Heights - 300mm / 440mm / 540mm
- LED Canopy Lights
- Night Curtains

M1		6ft	8ft	12ft	HEAD PIECE
Length	mm	1875	2500	3750	T.R.2025
Height	mm	2040			
Depth	mm	950 / 1130			
Thickness of end	mm	35 max 50			
Gross Volume	m ³	1.57/1.67	2.09/2.25	3.15/3.38	1.57/1.67
Total Display area	m ²	3.24/3.58	4.33/4.78	6.49/7.16	3.24/3.58
Evaporator fans	nr.x watt	2 x 10	4 x 10	6 x 10	2 x 10
Lighting	nr.x watt	2 x 36	4 x 36	6 x 36	2 x 36
Nr. Defrost in 24h	nr.x 24h	3/24h ~ 70 min def. +10°C			

					HEAD PIECE
Refrigeration Capacity (300 front at -10°C)	watt	2360/2520	3150/3360	4730/5040	2360/2520
Refrigeration Capacity (440 front at -10°C)	watt	2150/2290	2870/3060	4300/4580	2150/2290
Refrigeration Capacity (540 front at -10°C)	watt	1960/2060	2590/2760	3870/4120	1960/2060
Rating Power	watt	1150	1380	1840	460
Daily Electrical Consumption	KWH/24	3.9	5.6	7.9	3.9
Defrost Heater	nr.x watt	1 x 750	1 x 1000	1 x 1500	1 x 750



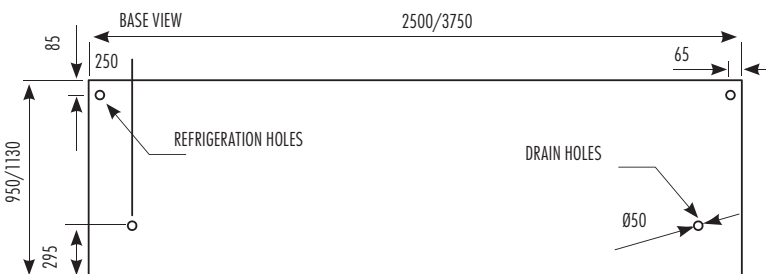
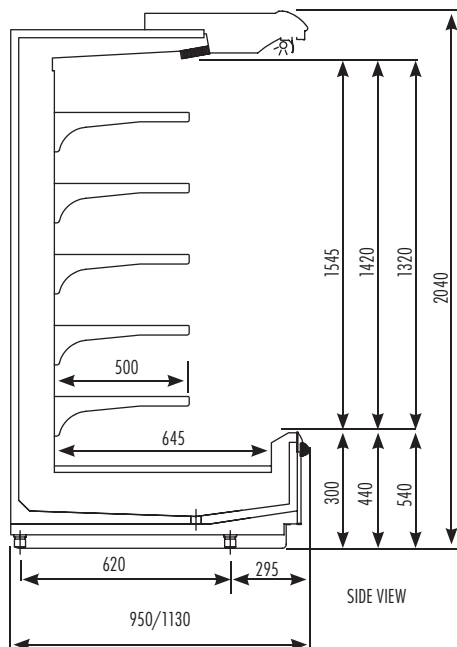
UPRIGHT FRUIT & VEG - H

950mm/1130mm

JUST FOR QUALITY, JUST FOR PRICE, JUST FOR YOU



12FT UPRIGHT FRUIT AND VEG



FEATURES

- Running temperature: +6°C/+8°C
- Ambient Conditions: 25°C - 60% R.H
- FANS - Mounted on rear wall
- High Capacity Evaporators
- Temperature Controller
- Rear Mirror

OPTIONAL EXTRAS

- Refrigeration Exit - Top of cabinet or Bottom Exit
- External Colours - Blue, Red, White, Black, Yellow, Silver, Grey, S.Steel
- Stainless Steel Bumper Rail
- Front Heights - 300mm / 440mm / 540mm
- LED Canopy Lights
- Night Curtains

H		6ft	8ft	12ft	HEAD PIECE
Length	mm	1875	2500	3750	T.R.2025
Height	mm	2040			
Depth	mm	950 / 1130			
Thickness of end	mm	35 max 50			
Gross Volume	m ³	1.57/1.67	2.09/2.25	3.15/3.38	1.57/1.67
Total Display area	m ²	3.24/3.58	4.33/4.78	6.49/7.16	3.24/3.58
Evaporator fans	nr.x watt	2 x 10	4 x 10	6 x 10	2 x 10
Lighting	nr.x watt	2 x 36	4 x 36	6 x 36	2 x 36
Nr. Defrost in 24h	nr.x 24h	3/24h ~ 70 min def. +10°C			

					HEAD PIECE
Refrigeration Capacity (300 front at -5°C)	watt	1591/1748	2218/2397	3384/3673	1591/1748
Refrigeration Capacity (440 front at -5°C)	watt	1432/1574	1997/2158	3046/3306	1432/1574
Refrigeration Capacity (540 front at -5°C)	watt	1289/1417	1798/1943	2742/2976	1289/1417
Rating Power	watt	1150	1380	1840	460
Daily Electrical Consumption	KWH/24	2.6	3.9	5.3	2.6



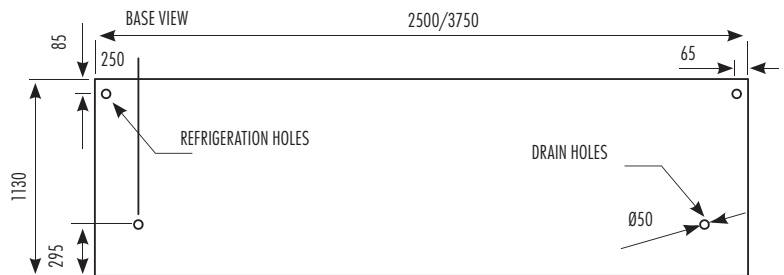
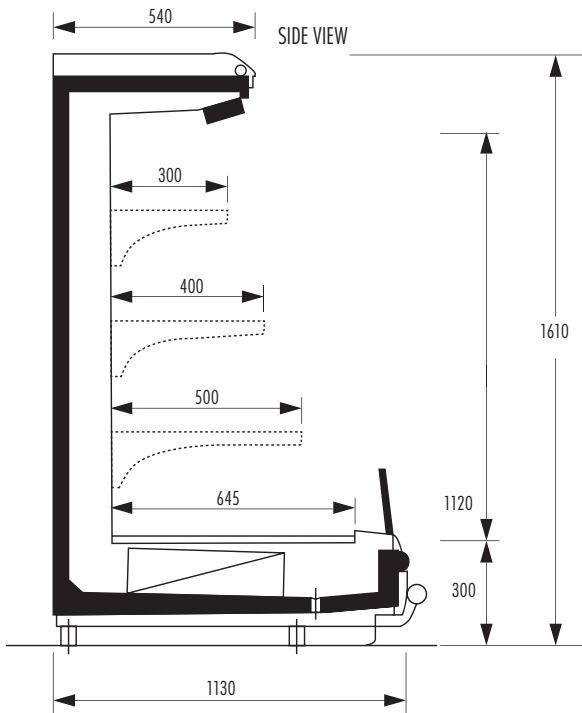
BARBADOS

JUST FOR QUALITY, JUST FOR PRICE, JUST FOR YOU



BARBADOS

* Excludes Head Piece



FEATURES	
Running temperature: +3°C/+5°C	Ambient Conditions: 25°C - 60% R.H
FANS - Mounted on rear wall	High Capacity Evaporators
Temperature Controller	
OPTIONAL EXTRAS	
Refrigeration Exit - Top of cabinet or Bottom Exit	External Colours - Blue, Red, White, Black, Yellow, Silver, Grey, S.Steel
Stainless Steel Bumper Rail	LED Canopy Lights
Night Curtains	

		8ft	12ft
Length	mm	2500	3750
Depth	mm	1130	
Height	mm	1610	
Thickness of end	mm	35 max 42	
Gross Volume	m ³	1.10/1.28	1.68 / 1.91
Total Display area	m ²	3.11/3.48	4.67/5.21
		8ft	12ft
Refrigeration Capacity (300 front at -10°C)	watt	2820	4230
Rating Power	watt	1380	1840
Daily Electrical Consumption		3.9	5.3

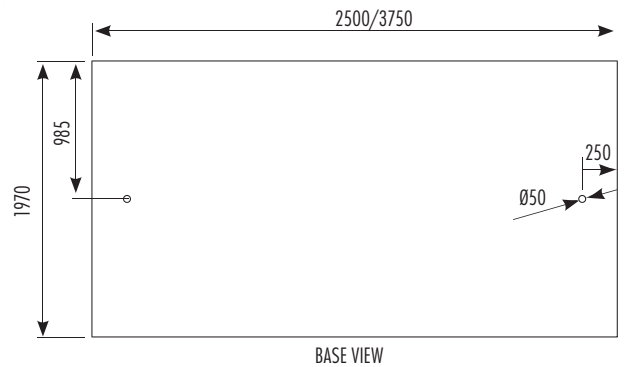
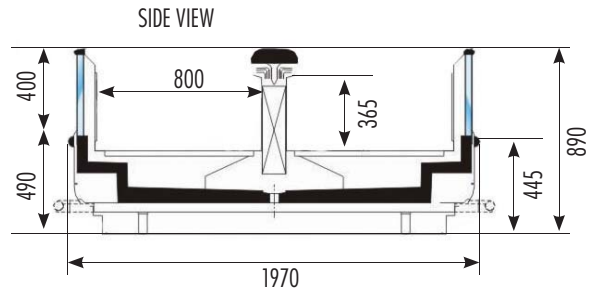


JUMBO ISLAND

JUST FOR QUALITY, JUST FOR PRICE, JUST FOR YOU



12FT JUMBO ISLAND



FEATURES

LOW : Running temperature: -18°C/-20°C • -22°C/-24°C
 : Ambient Conditions: 25°C - 60% R.H.
 MED : Running temperature: 0°C/+2°C
 : Ambient Conditions: 25°C - 60% R.H.
 Temperature Controller

OPTIONAL EXTRAS

Glass or solid side
 External Colours - Blue, Red, White, Black, Yellow, Silver, Grey, S.Steel
 Stainless Steel Bumper Rail
 Wizlight section
 Night Curtains

		8ft	12ft
Length	mm	2500	3750
Width	mm	1970	1970
Height	mm	Front Glass: 400 • Total Height: 890	
Thickness of end	mm	60	
Gross Volume	m ³	1460	2190
Total Display area	m ²	5,39	8,08
Evaporator fans	nr.x watt	4 x 10	6 x 10
Antimist heater	watt	L M 454 250	518 285
Defrost Heater	nr.x watt	L M 2x1000 2x420	2x1500 2x625
Nr. Defrost in 24h	nr.x 24h	3/24h~45 min def. +12°C	

LOW TEMP		8ft	12ft
Orifice	nr.	TES2or.03	TES2or.04
Refrigeration Capacity (at -36°C)	watt	1670	2500
Rating Power	watt	2300	2760
Daily electrical consumption	KWH/24	17.8	22.8
MEDIUM TEMP		8ft	12ft
Orifice	nr.	TES2 or.01	TES2 or.02
Refrigeration Capacity (at -10°C)	watt	1670	2500
Rating Power	watt	2300	2760
Daily electrical consumption	KWH/24	10.2	13.1

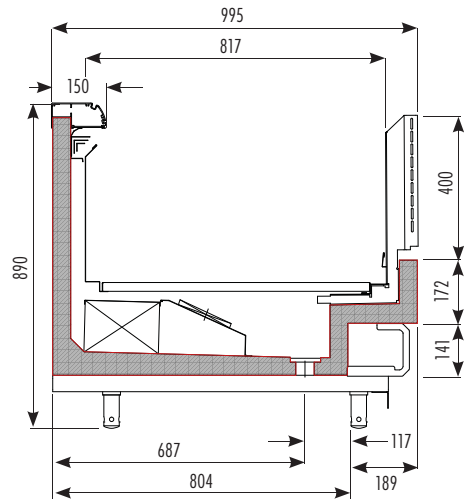


CROWN-END

JUST FOR QUALITY, JUST FOR PRICE, JUST FOR YOU



CROWN END



FEATURES

LOW : Running temperature: -18°C/-20°C • -22°C/-24°C
 : Ambient Conditions: 25°C - 60% R.H
MED : Running temperature: 0°C/+2°C
 : Ambient Conditions: 25°C - 60% R.H

OPTIONAL EXTRAS

Glass or solid side
 External Colours - Blue, Red, White, Black, Yellow, Silver, Grey, S.Steel
 Stainless Steel Bumper Rail
 Wizlight section
 Night Curtains

HEAD PIECE

Length	mm	TEST.2200
Width	mm	995
Height	mm	400 890
Thickness of end	mm	60
Gross Volume	m ³	703
Total Display area	m ²	2,57
Evaporator fans	nr.x watt	2 x 10
Antimist heater	watt	L 234 M 122
Defrost Heater	nr.x watt	L 1 x 1000 M 1 x 315
Nr. Defrost in 24h	nr.x 24h	3/24h ~ 45 min def. +12°C

LOW TEMP

Orifice	nr.	TES2or.02
Refrigeration Capacity (-35°C)	watt	840
Rating Power	watt	1200
Daily electrical consumption	KWH/24	10.8
MEDIUM TEMP		
Orifice	nr.	TES2or.00
Refrigeration Capacity (-10°C)	watt	550
Rating Power	watt	1150
Daily electrical consumption	KWH/24	6.2

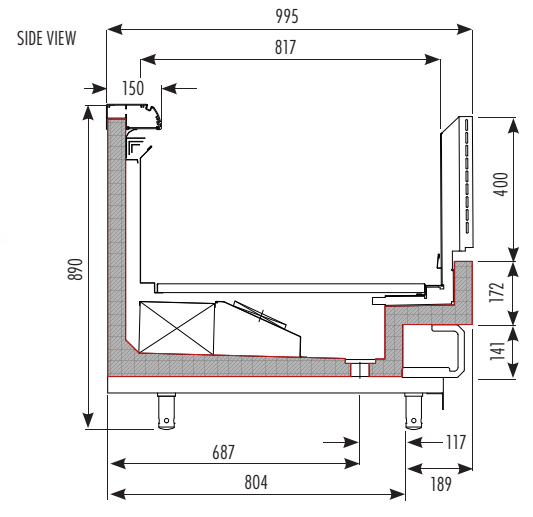


WALL BIN

JUST FOR QUALITY, JUST FOR PRICE, JUST FOR YOU



12FT WALL BIN



FEATURES	
LOW	Running temperature: -18°C/-20°C • -22°C/-24°C : Ambient Conditions: 25°C - 60% R.H
MED	Running temperature: 0°C/+2°C : Ambient Conditions: 25°C - 60% R.H
OPTIONAL EXTRAS	
Glass or solid side External Colours - Blue, Red, White, Black, Yellow, Silver, Grey, S.Steel Stainless Steel Bumper Rail Night Curtains	

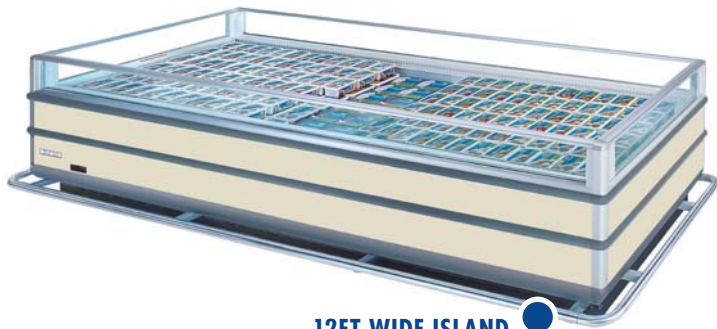
		8ft	12ft
Length	mm	2440	3660
Width	mm	995	
Height	mm	Front Glass : 400 / Total Height : 890	
Thickness of end	mm	60	
Gross Volume	m ³	1.28	1.92
Total Display area	m ²	2.00	4.48
Evaporator fans	nr.x watt	3 x 10	4 x 10
Antimist heater	watt	L 206 M 105	294 150
Defrost Heater	nr.x watt	L 1 x 1000 M 1 x 420	1 x 1500 1 x 625
Nr. Defrost in 24h	nr.x 24h	3/24h ~ 45 min def. +12°C	

LOW TEMP		8ft	12ft
Orifice	nr.	TES2 or.02	TES2or.03
Refrigeration Capacity (-35°C)	watt	1120	1680
Rating Power	watt	2334	2998
Daily electrical consumption	KWH/24	11.3	16.2
MEDIUM TEMP		8ft	12ft
Orifice	nr.	TES2or.00	TES2or.01
Refrigeration Capacity (-10°C)	watt	620	930
Rating Power	watt	2300	2760
Defrosting Power	watt	1420	2125
Daily electrical consumption	KWH/24	6.2	8.7

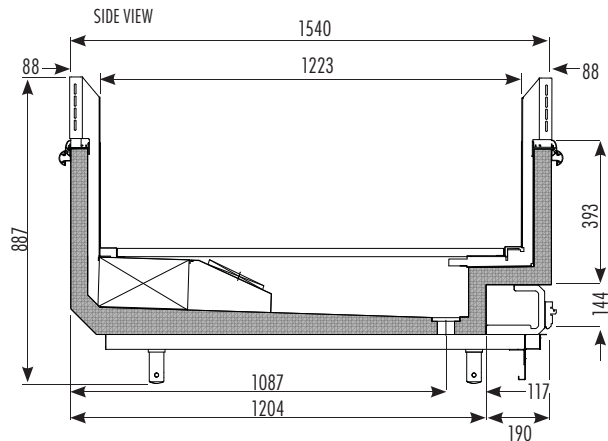


WIDE ISLAND

JUST FOR QUALITY, JUST FOR PRICE, JUST FOR YOU



12FT WIDE ISLAND



FEATURES

LOW : Running temperature: -18°C/-20°C • -22°C/-24°C
 : Ambient Conditions: 25°C - 60% R.H

MED : Running temperature: 0°C/+2°C
 : Ambient Conditions: 25°C - 60% R.H

OPTIONAL EXTRAS

Glass or solid side
 External Colours - Blue, Red, White, Black, Yellow, Silver, Grey, S.Steel
 Stainless Steel Bumper Rail
 Night Curtains

		8ft	12ft
Length	mm	2440	3660
Width	mm	1540	
Height	mm	Front Glass : 200 / Total Height : 890	
Thickness of end	mm	60	
Gross Volume	m ³	1.28	1.92
Total Display area	m ²	2.98	4.48
Evaporator fans	nr.x watt	3 x 10	4 x 10
Antimist heater	watt	L 87 M 39	125 55
Defrost Heater	nr.x watt	L 1x1000 M 1x420	1x1500 1x625
Nr. Defrost in 24h	nr.x 24h	3/24h ~ 45 min def. +12°C	

LOW TEMP		8ft	12ft
Orifice	nr.	TES2or.03	TES2or.04
Refrigeration Capacity (-35°C)	watt	1360	2040
Rating Power	watt	2334	2998
Daily electrical consumption	KWH/24	8.4	12.1
MEDIUM TEMP		8ft	12ft
Orifice	nr.	TES2 or.01	TES2 or.01
Refrigeration Capacity (-10°C)	watt	750	1120
Rating Power	watt	2300	2760
Daily electrical consumption	KWH/24	4.6	6.4

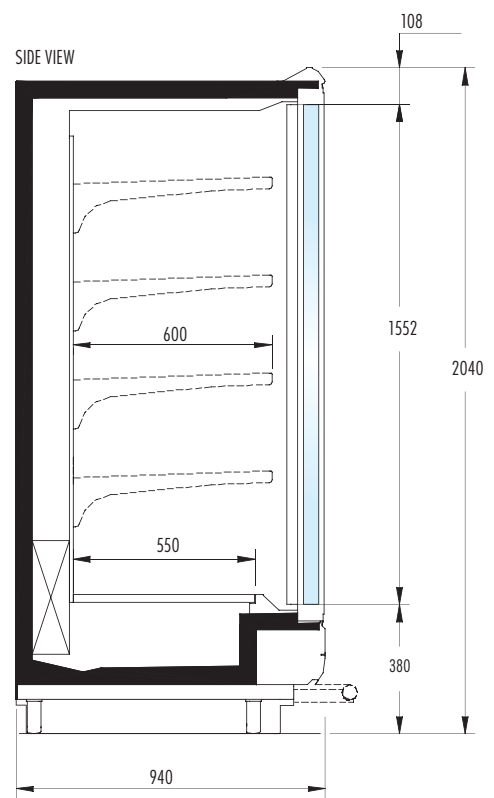


UPRIGHT GLASS FRIDGE

JUST FOR QUALITY, JUST FOR PRICE, JUST FOR YOU



12FT UPRIGHT GLASS FRIDGE



FEATURES	
LOW	Running temperature: -18°C/-20°C • -22°C/-24°C Ambient Conditions: 25°C - 60% R.H
MED	Running temperature: 0°C/+2°C Ambient Conditions: 25°C - 60% R.H
OPTIONAL EXTRAS	
External Colours - Blue, Red, White, Black, Yellow, Silver, Grey, S.Steel Stainless Steel Bumper Rail	

		3P	4P	5P
Length	mm	2343	3124	3905
Width	mm	940		
Height	mm	Front Glass : 335 / Total Height : 2040		
Thickness of end	mm	50		
Gross Volume	m ³	218	291	364
Total Display area	m ²	2.17	2.89	3.61
Evaporator fans	nr.x watt watt	3x65 195	4x65 260	5x65 325
Lighting	nr.x watt watt	4x35 140	5x35 175	6x35 210
Antimist heater	watt	L 755 M 378	1000 500	1243 622
Defrost Heater	nr.x watt	L 3x950 M 1x950	3x1250 1x1250	3x1650 1x1650
Nr. Defrost in 24h	nr.x 24h	1/24h ~ 60 min def. +6°C		

LOW TEMP		3P	4P	5P
Orifice	nr.	TES2or.04	TES2or.05	TES2or.05
Refrigeration Capacity (-35°C)	watt	1790	2380	2980
Rating Power	watt	1182	1550	1916
Daily electrical consumption	KWH/24	26.8	35.3	44
MED TEMP		3P	4P	5P
Orifice	nr.	TES2or.01	TES2or.02	TES2or.03
Refrigeration Capacity (-10°C)	watt	1090	1460	1810
Rating Power	watt	805	1050	1295
Daily electrical consumption	KWH/24	16.6	21.9	27.2

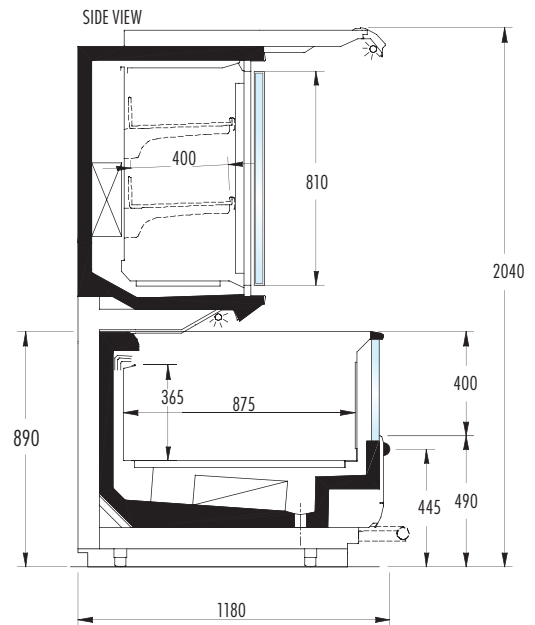


TASMANIA

JUST FOR QUALITY, JUST FOR PRICE, JUST FOR YOU



12FT TASMANIA



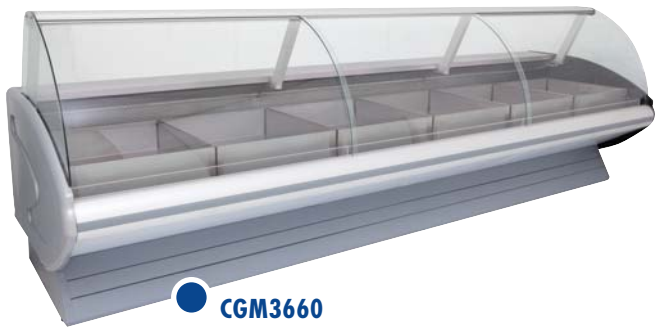
	mm	8ft		12ft	
		TUB NT	TOP BT	TUB NT	TOP BT
Length		2500		3750	
Width		1180			
Height		Front Glass : 400 • Total Height : 2040			
Thickness of end		50			
Gross Volume	m ³	800	820	1200	1230
Total Display area	m ²	1.73	1.46	2.6	2.19
Evaporator fans	nr.x watt	3 x 32	4 x 32	4 x 32	6 x 32
Lighting	nr.x watt	np	5 x 14 4 x 28	np	7 x 14 6 x 28
Antimist heater	watt	206	913	294	1373
Defrost Heater (with sliding covers)	nr.x watt	1x1000 3x1000	3x1000 3x1000	1x1500 3x1500	3x1500 3x1500

FEATURES					
LOW : Running temperature: -18°C/-20°C • -22°C/-24°C : Ambient Conditions: 25°C - 60% U.R.					
OPTIONAL EXTRAS					
External Colours - Blue, Red, White, Black, Yellow, Silver, Grey, S.Steel Stainless Steel Bumper Rail Night Curtains					
LOW TEMP		8ft		12ft	
		TUB NT	TOP BT	TUB NT	TOP BT
Orifice	nr.	TES2 or.02	TES2 or.03	TES2 or.03	TES2 or.04
Refrigeration Capacity (-35°C)	watt	770	1100	1160	1660
Refrigeration duty at nominal evaporating temperature	watt	880	1100	1320	1660
Rating Power	watt	302	1223	422	1831
Daily electrical consumption	KWH/24	11.3	28.5	16.2	42.8

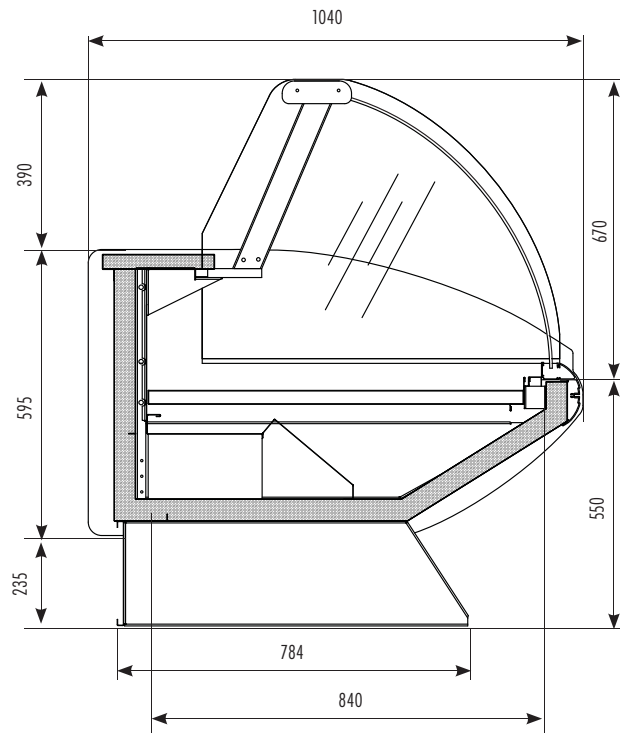


SERVE-OVER (MEAT)

JUST FOR QUALITY, JUST FOR PRICE, JUST FOR YOU



CGM3660



FEATURES

- Running temperature: 0°C/+20°C
- Ambient Conditions: 25°C - 60% R.H
- Front sliding glass for easy cleaning
- Aesthetically pleasing aluminium sections used.
- Removable colour coded bumper rail insert
- Rear sliding glass
- Forced air cooling
- Adjustable feet for levelling cabinet
- Chromadek exterior finish
- Stainless steel interior base
- 2 x Drains for easy cleaning
- Stainless steel work top for extra durability
- Polyurethane foam injected
- Temperature Controller

OPTIONAL EXTRAS

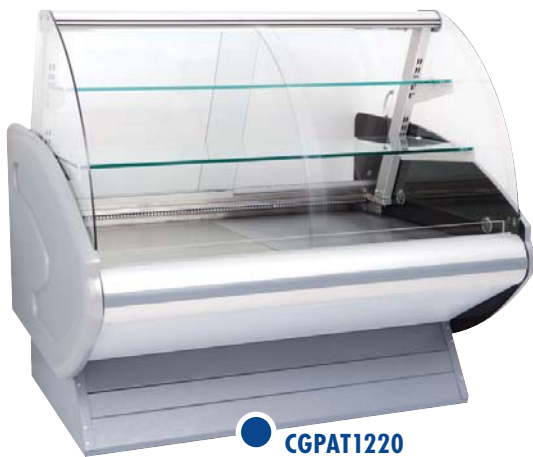
- Optional colour coded base and bumper rail insert
- Optional Stainless steel meat bins

		CGM1220	CGM1830	CGM2440	CGM3660
Length	mm	1220	1830	2440	3660
Width	mm	1040			
Height	mm	Front Glass : 670 • Total Height : 1220			
Thickness of end	mm	40			
Gross Volume	m ³	0.67	1.05	1.34	2.02
Total Display area	m ²	1.02	1.54	2.05	3.08
Evaporator fans	nr.x watt	1 x 10	1 x 10	2 x 10	3 x 10
Cabinet Temperature	°C	0°C to +2°C			
Refrigeration Capacity (-10°C)	watts	440	660	880	1320
Rating Power	watts	1150	1380	1840	2300

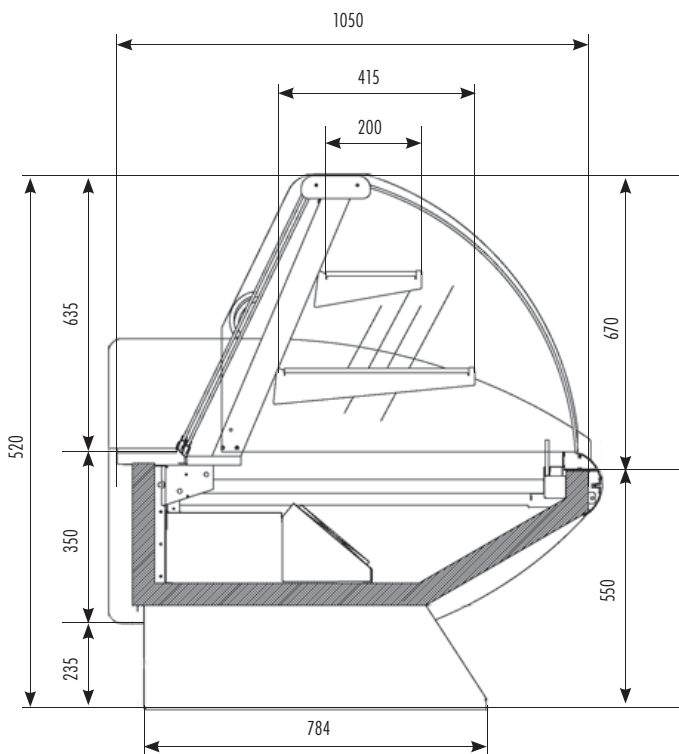


SERVE-OVER (BAKERY)

JUST FOR QUALITY, JUST FOR PRICE, JUST FOR YOU



CGPAT1220



FEATURES

- Running temperature: +2°C/+6°C
- Ambient Conditions: 25°C - 60% R.H
- Front sliding glass for easy cleaning
- Aesthetically pleasing aluminium sections used.
- Rear sliding glass
- Adjustable feet for levelling cabinet
- Chromadek exterior finish
- Stainless steel work top for extra durability
- Polyurethane foam injected
- Two tier adjustable glass shelves
- Temperature Controller

OPTIONAL EXTRAS

- Optional colour coded base and bumper rail insert

		CGPAT1220	CGPAT1830	CGPAT2440	CGPAT3660
Length	mm	1220	1830	2440	3660
Width	mm	1050			
Height	mm	Front Glass : 670 • Total Height : 1220			
Thickness of end	mm	40			
Gross Volume	m ³	0.66	1.05	1.37	2.06
Total Display area	m ²	1.63	2.45	3.30	4.92
Evaporator fans	nr.x watt	1 x 10	1 x 10	2 x 10	3 x 10
Cabinet Temperature	°C	+2°C to +6°C			
Refrigeration Capacity (-5°C)	watts	376	564	752	1128
Rating Power	watts	1150	1380	1840	2300

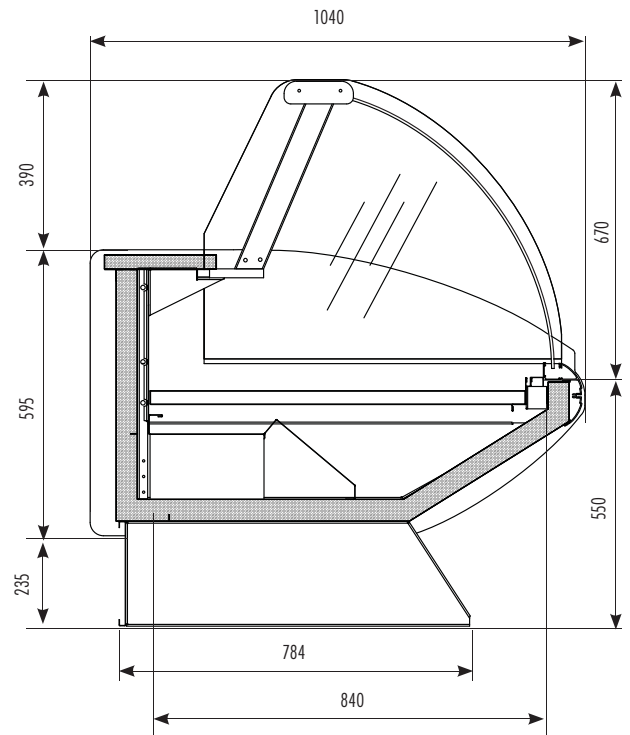


SERVE-OVER (DELI)

JUST FOR QUALITY, JUST FOR PRICE, JUST FOR YOU



CGD1220



FEATURES

Running temperature: +2°C/+6°C
 Ambient Conditions: 25°C - 60% R.H.
 Front sliding glass for easy cleaning
 Aesthetically pleasing aluminium sections used.
 Rear sliding glass
 Forced air cooling
 Adjustable feet for levelling cabinet
 Chromadek exterior finish
 Stainless steel work top for extra durability
 Polyurethane foam injected
 Temperature Controller

OPTIONAL EXTRAS

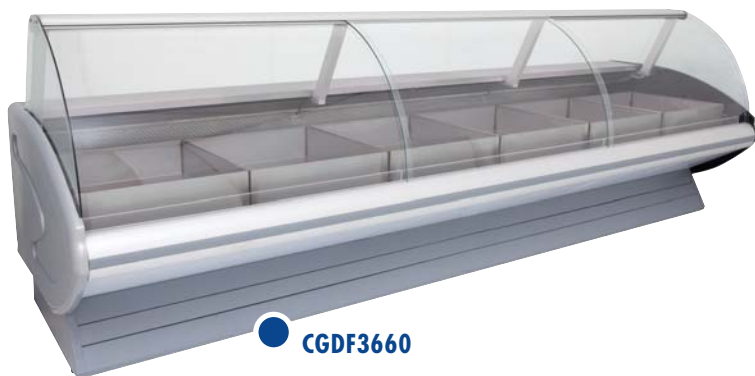
Optional colour coded base and bumper rail insert
 Optional Stainless steel meat bins

		CGD1220	CGD1830	CGD2440	CGD3660
Length	mm	1220	1830	2440	3660
Width	mm	1040			
Height	mm	Front Glass : 670 • Total Height : 1220			
Thickness of end	mm	40			
Gross Volume	m ³	0.67	1.05	1.34	2.02
Total Display area	m ²	1.02	1.54	2.05	3.08
Evaporator fans	nr.x watt	1 x 10	1 x 10	2 x 10	3 x 10
Cabinet Temperature	°C	+2°C to +6°C			
Refrigeration Capacity (-8°C)	watts	440	660	880	1320
Rating Power	watts	1150	1380	1840	2300

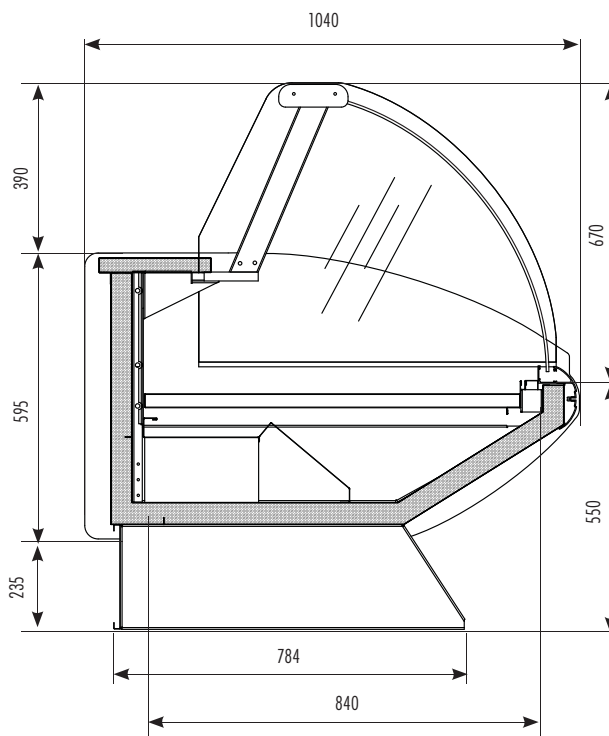


SERVE-OVER (DELI FREEZER)

JUST FOR QUALITY, JUST FOR PRICE, JUST FOR YOU



CGDF3660



FEATURES	
Running temperature:	-18°C/-20°C
Ambient Conditions:	25°C - 60% R.H
Front sliding glass for easy cleaning	
Aesthetically pleasing aluminium sections used.	
Rear sliding glass	
Adjustable feet for levelling cabinet	
Chromadek exterior finish	
Chromadek interior finish in white	
Stainless steel work top for extra durability	
Polyurethane foam injected	
Temperature Controller	
OPTIONAL EXTRAS	
Optional colour coded base and bumper rail insert	
Angled freezer bins	

		CGDF1220	CGDF1830	CGDF2440	CGDF3660
Length	mm	1220	1830	2440	3660
Width	mm	1040			
Height	mm	Front Glass : 670 • Total Height : 1220			
Thickness of end	mm	40			
Gross Volume	m ³	0.67	1.05	1.34	2.02
Total Display area	m ²	1.02	1.54	2.05	3.08
Evaporator fans	nr.x watt	1 x 10	1 x 10	2 x 10	3 x 10
Cabinet Temperature	°C	-18°C to -20°C			
Refrigeration Capacity(-35°C)	watts	560	1340	1120	1680
Rating Power	watts	1610	1840	2300	2760

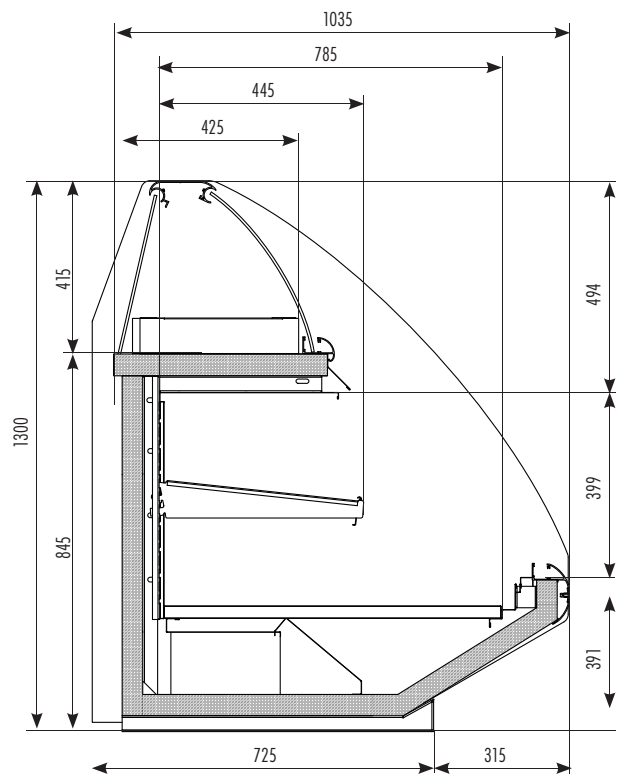


SERVE-OVER (COMBO)

JUST FOR QUALITY, JUST FOR PRICE, JUST FOR YOU



● 8FT SERVE-OVER COMBO



FEATURES

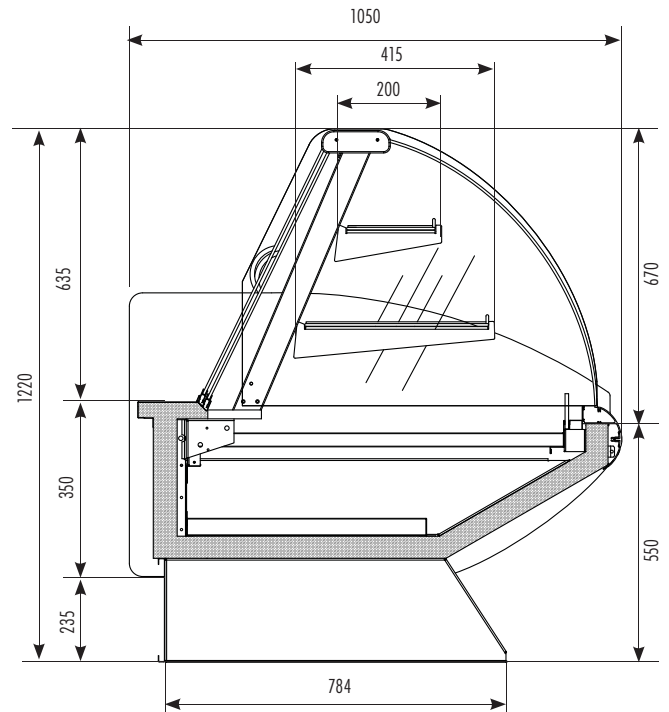
Running temperature: +2°C/+6°C
 Ambient Conditions: 25°C - 60% R.H
 Front sliding glass for easy cleaning
 Aesthetically pleasing aluminium sections used.
 Removable colour coded bumper rail insert
 Rear sliding glass
 Forced air cooling
 Adjustable feet for levelling cabinet
 Chromadek exterior finish
 Stainless steel interior base
 2 x Drains for easy cleaning
 Polyurethane foam injected
 Temperature Controller

		8ft	12ft
Length	mm	2440	3660
Width	mm	1035	
Height	mm	1300	
Thickness of end	mm	40	
Gross Volume	m ³	3.16	4.74
Total Display area	m ²	4.00	6.00
Evaporator fans	nr.x watt	2 x 10	3 x 10
Cabinet Temperature	°C	+2°C to +6°C	
Refrigeration Capacity (-10 °C)	watts	3600	5400
Rating Power	watts	1610	2300



PIE WARMER

JUST FOR QUALITY, JUST FOR PRICE, JUST FOR YOU



FEATURES

- Front sliding glass for easy cleaning
- Aesthetically pleasing aluminium sections used.
- Rear top sliding glass doors
- Adjustable feet for levelling cabinet
- Chromadek exterior finish
- Stainless steel work top for extra durability
- Polyurethane foam injected
- Temperature regulation by thermostat
- Forced air circulation for even heat
- Two tier adjustable wire shelves
- Digital Temperature Display

OPTIONAL EXTRAS

- Optional colour coded base and bumper rail insert
- Optional colour coded black interior

		CGPW1220	CGPW2440
Length	mm	1220	2440
Width	mm	1050	
Height	mm	Front Glass : 670 • Total Height : 1220	
Thickness of end	mm	40	
Gross Volume	m ³	0.29	0.58
Total Display area	m ²	0.62	1.24
Cabinet Temperature	°C	+65°C	
Rating Power	watts	1400	2800

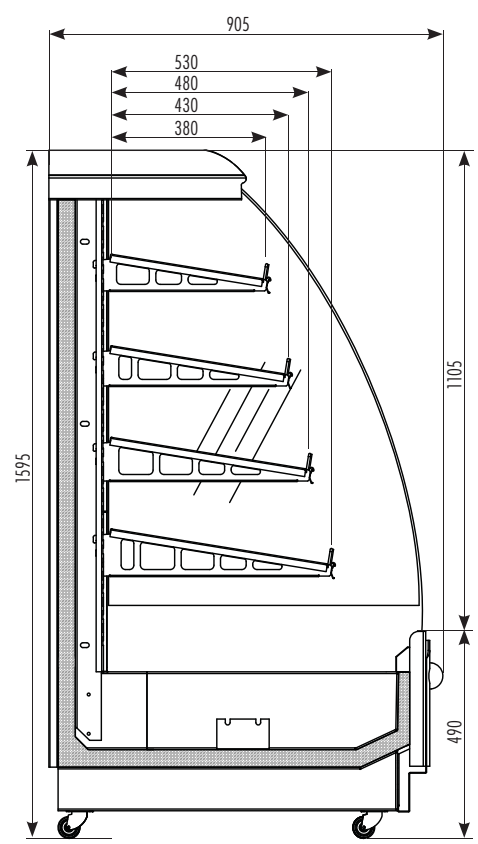


UPRIGHT CHICKEN WARMER

JUST FOR QUALITY, JUST FOR PRICE, JUST FOR YOU



● UPRIGHT CHICKEN WARMER



FEATURES
 Each shelf heated
 Fan assisted for even heat distribution
 Adjustable shelves
 Each shelf on own thermostat and can be separately adjusted

		UCW1000
Length	mm	1000
Width	mm	905
Height	mm	1595
Thickness of end	mm	30
Gross Volume	m ³	2.43
Total Display area	m ²	2.24
Cabinet Temperature	°C	+65°C to +75°C
Rating Power	watts	3000